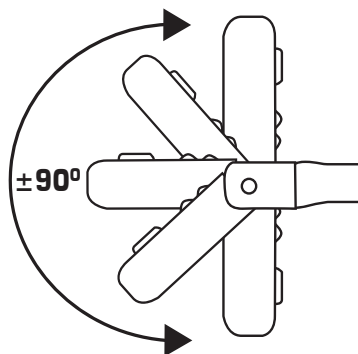


**REVERSIBLE RATCHET WITH FLEXIBLE
HEAD**





PRODUCT FEATURES

Push switch. Handle with a socket made from two-component material with rubber components cast-in. Moving head.



72 **1/4"** **3/8"** **1/2"** **CrV**

CODE	SQUARE	L [MM]		
18180	1/4"	164	-	25/100
18580	1/2"	285	-	6/30
ZR18180	1/4"	164	x	25/100
ZR18580	1/2"	285	x	6/30