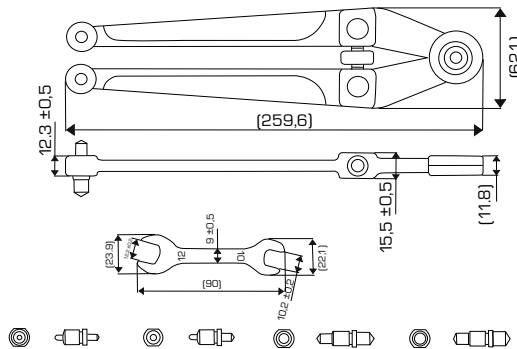
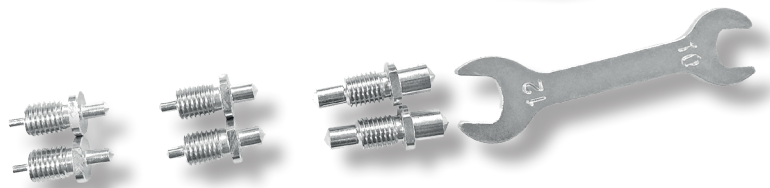
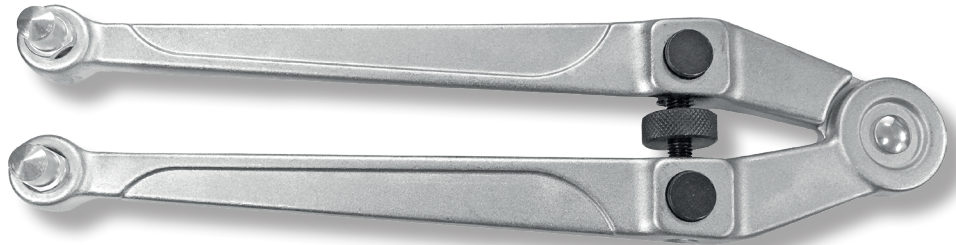


ADJUSTABLE SPANNER FOR RING NUTS
WITH FRONT HOLES



PRODUCT FEATURES

Forged. Chromium-plated. Satin. Designed for unscrewing and tightening nuts with frontal openings. Adjustment with a knob. Adjustment range from 18 to 100 mm. The trunk contains 4 pairs of replaceable, round, and two-sided pins of different diameters and a spanner.



CODE	HOOK SIZE [MM]	RANGE [MM]	📦
36810	2.5, 3, 4, 5, 6, 7, 8, 9	18-100	20