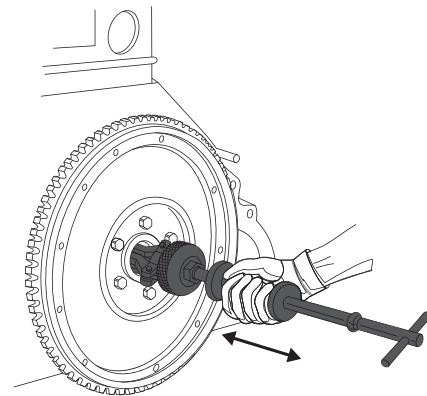




PRODUCT FEATURES

A specialized tool designed for dismounting hubs. The set includes an impact puller and two changeable heads.



x26

| CODE | QUANTITY [PCS] |  |
|-------|----------------|---|
| 46869 | 26 | 2 |

PROLINE®